

MODEL # CIMR-PW	VOLTAGE THREE PHASE (VAC)	OUTPUT CURRENT (A)	WEIGHT LBS (Kg)	HEAT LOSS (W) (Fc=2kHz)		
				INT	EXT	TOT
2V0069GXX	208/240	69.0	60.1 (27.7)	185.8	477.3	663.1

NOTE:  
XX DENOTES AA-ZZ

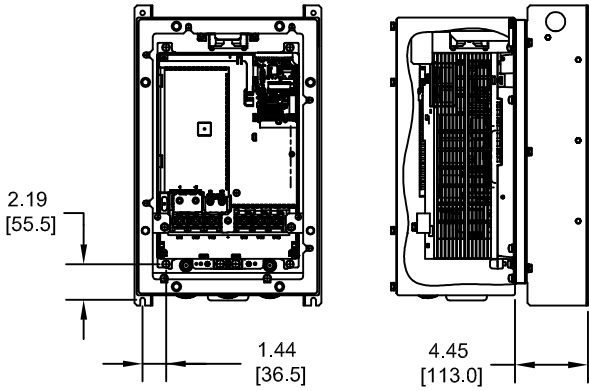
INT=INTERNAL COMPONENTS  
EXT=EXTERNAL HEATSINK  
TOT=TOTAL

FOR ADDITIONAL DETAILS AND SPECIFICATIONS, CONSULT MANUAL

TOLERANCES / REFERENCES:		<p><b>YASKAWA</b></p> <p>THIS DOCUMENT AND INFORMATION CONTAINED IN IT ARE CONFIDENTIAL, AND CANNOT BE COPIED OR DISCLOSED IN WHOLE OR IN PART WITHOUT THE EXPRESS WRITTEN CONSENT OF YASKAWA AMERICA, INC.</p>	DRAWN: J. MATTAS CHECKED: J. PIOTROWSKI TECH: J. BORJA APPROVED: J. CAIRO ORIGINAL DESIGN: -	DATE 11-4-14 DATE 11-10-14 DATE 11-11-14 DATE 11-18-14 DATE -	TITLE: IQ PUMP MICRO DIMENSION DRAWING FRAME SIZE 4 NEMA TYPE 4X ENCLOSURE (IP66) 2V0069
UNITS: IN[mm]	SCALE: 1:8		SIZE A REVISION R00 PAGE 1 of 4	DRAWING #: <b>DD.IQPM.FR4.N4</b>	

**TERMINAL AND WIRING, GENERAL VIEWS (SCALE 1:12)**  
 NOTE: REFER TO PAGE 4 FOR 24 VOLT OPTION KIT DETAILS

NOTE: FRONT COVER REMOVED

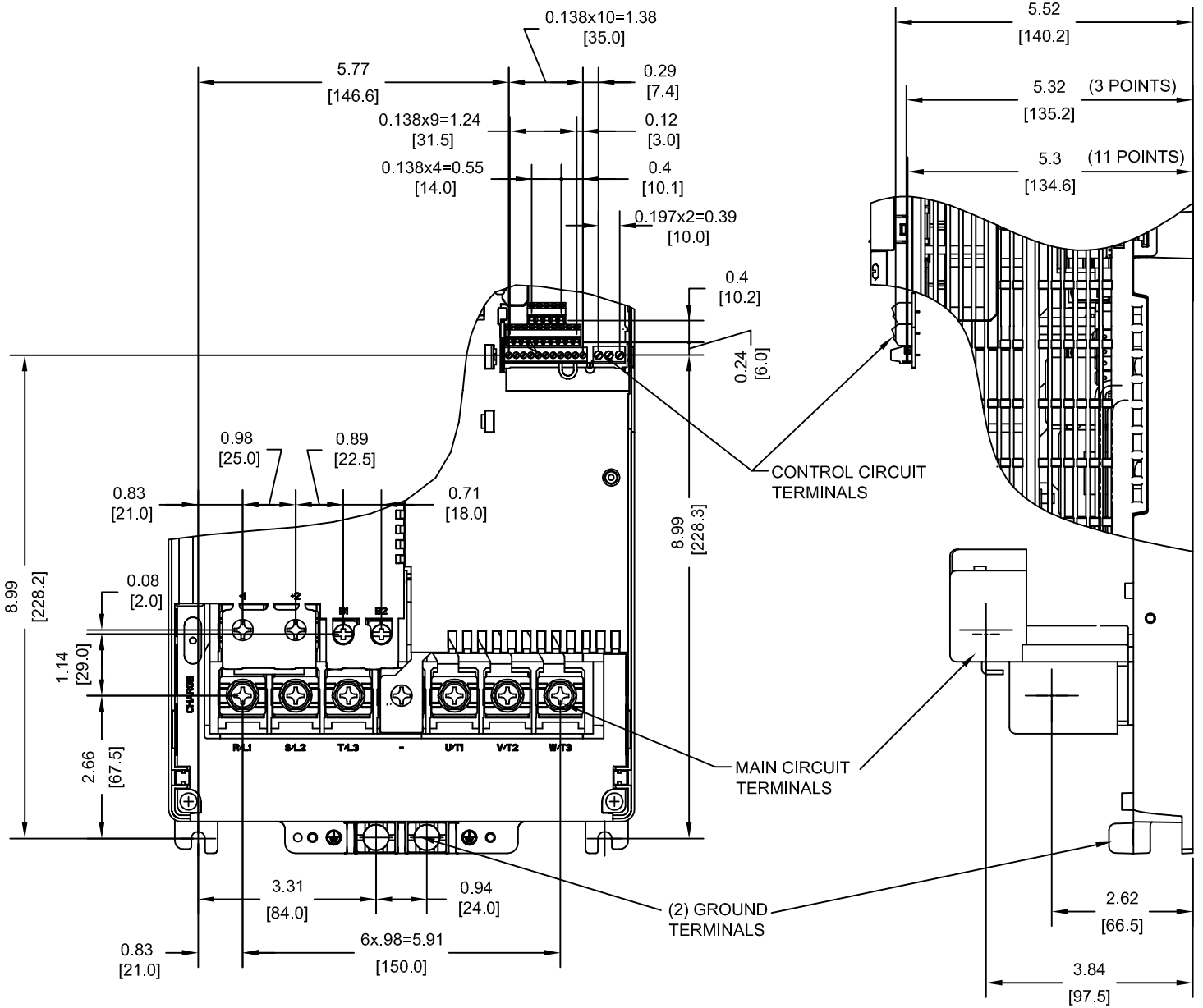


**TERMINAL AND WIRE SPECIFICATIONS FOR  
 MAIN CIRCUIT AND GROUND**

MODEL # CIMR-PW	TERMINAL SYMBOL	TERMINAL SCREW	CLAMPING TORQUE lb.in.(N.m.)	WIRE RANGE AWG(mm <sup>2</sup> )
2V0069G	R/L1, S/L2, T/L3, ⊕, ⊕1, ⊕2, U/T1, V/T2, W/T3	M8	79.7 TO 97.4 (9 TO 11)	10-2 (5.5-38)
	B1, B2	M5	17.7 TO 22.1 (2 TO 2.5)	8-6 (8-14)
	⊕	M6	35.4 TO 53.1 (4 TO 6)	8-4 (8-22)

NOTE: RATINGS APPLY TO BOTH FACTORY AND FIELD WIRING  
 REFER TO APPLICABLE CODES FOR PROPER WIRE TYPE AND SIZE

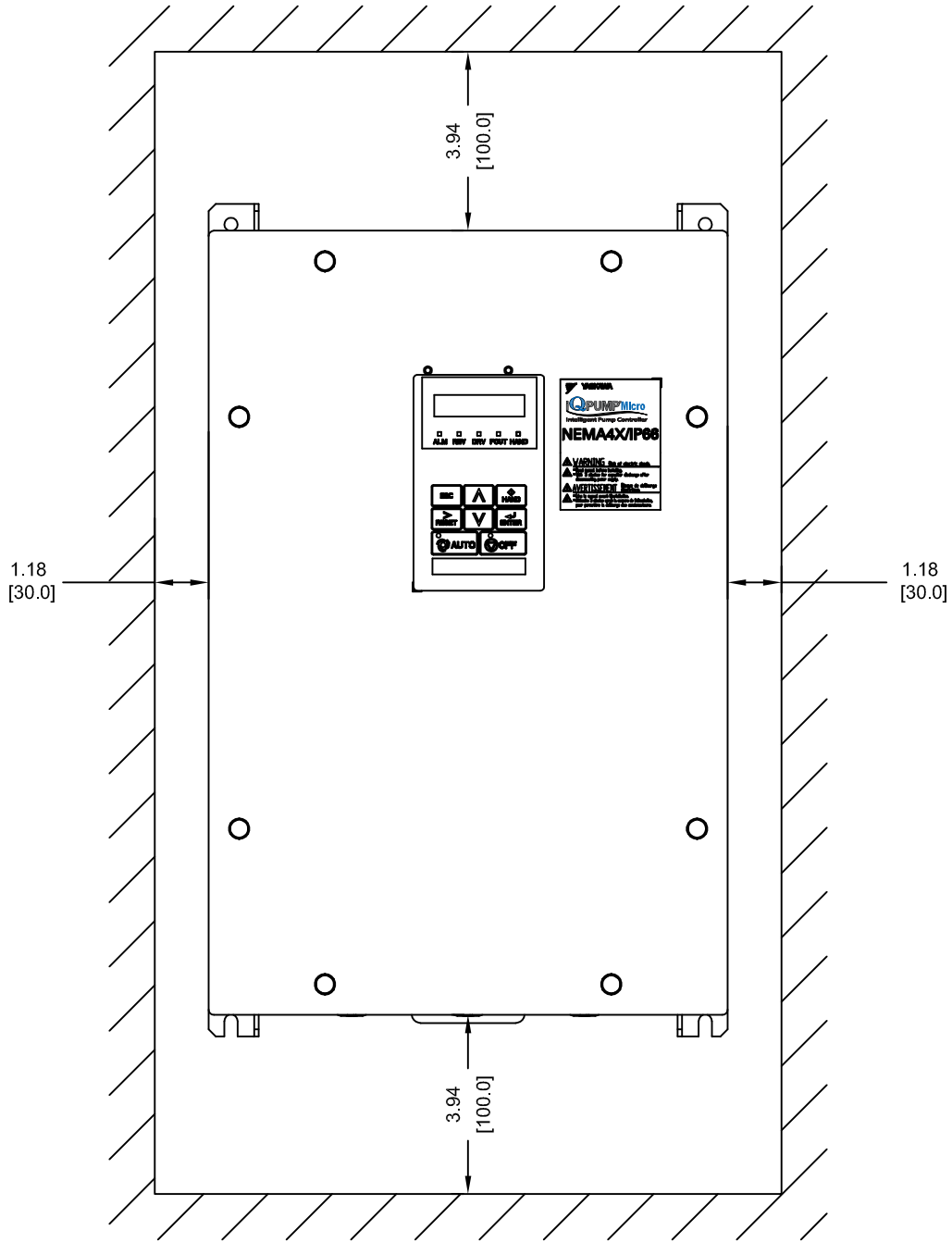
**TERMINAL AND WIRING DETAILS (SCALE 1:3)**




FOR ADDITIONAL DETAILS AND SPECIFICATIONS, CONSULT MANUAL

TOLERANCES / REFERENCES:		<p><b>YASKAWA</b></p> <p>THIS DOCUMENT AND INFORMATION CONTAINED                  IN IT ARE CONFIDENTIAL, AND CANNOT BE                  COPIED OR DISCLOSED IN WHOLE OR IN PART                  WITHOUT THE EXPRESS WRITTEN CONSENT                  OF YASKAWA AMERICA, INC.</p>	DRAWN: J. MATTAS	DATE: 11-4-14	TITLE: IQ PUMP MICRO DIMENSION DRAWING FRAME SIZE 4 NEMA TYPE 4X ENCLOSURE (IP66) 2V0069	
			CHECKED: J. PIOTROWSKI	DATE: 11-10-14		
			TECH: J. BORJA	DATE: 11-11-14		
			APPROVED: J. CAIRO	DATE: 11-18-14		
UNITS: IN[mm]	SCALE: BY VIEW	ORIGINAL DESIGN: -	DATE: -	SIZE: A	REVISION: R00	PAGE: 2 of 4
DRAWING #: <b>DD.IQPM.FR4.N4</b>						

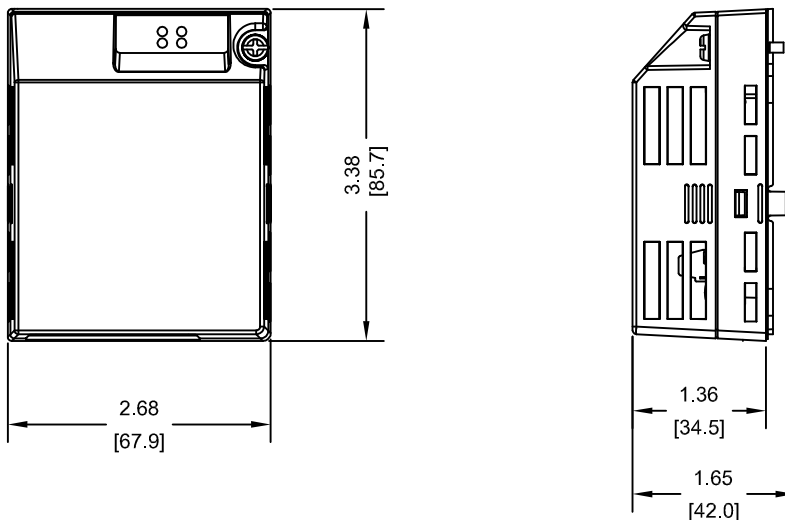
MINIMUM INSTALLATION CLEARANCES (SCALE 1:4)



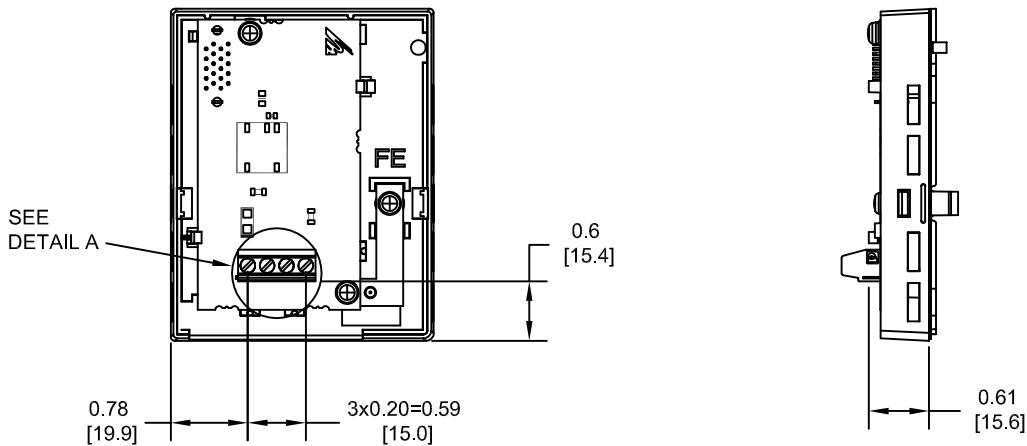
FOR ADDITIONAL DETAILS AND SPECIFICATIONS, CONSULT MANUAL

TOLERANCES / REFERENCES:		 THIS DOCUMENT AND INFORMATION CONTAINED IN IT ARE CONFIDENTIAL, AND CANNOT BE COPIED OR DISCLOSED IN WHOLE OR IN PART WITHOUT THE EXPRESS WRITTEN CONSENT OF YASKAWA AMERICA, INC.	DRAWN: <b>J. MATTAS</b>	DATE: 11-4-14	TITLE: IQ PUMP MICRO DIMENSION DRAWING FRAME SIZE 4 NEMA TYPE 4X ENCLOSURE (IP66) 2V0069		
			CHECKED: <b>J. PIOTROWSKI</b>	DATE: 11-10-14			
			TECH: <b>J. BORJA</b>	DATE: 11-11-14			
			APPROVED: <b>J. CAIRO</b>	DATE: 11-18-14			
UNITS: IN[mm]	SCALE: BY VIEW	ORIGINAL DESIGN: -	DATE: -	DRAWING #: <b>DD.IQPM.FR4.N4</b>	SIZE: A	REVISION: R00	PAGE: 3 of 4

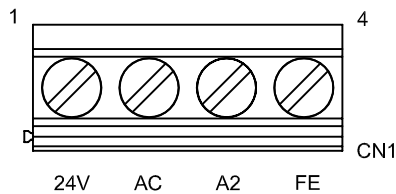
24V OPTION KIT (SCALE 1:2)



24V OPTION KIT (SCALE 1:2)  
COVER REMOVED



DETAIL A (SCALE 2:1)



24V OPTION KIT - SPECIFICATIONS

TERMINAL SCREW	CLAMPING TORQUE lb.in.(N.m.)	WIRE RANGE AWG(mm <sup>2</sup> )	OPTION KIT WEIGHT LBS(Kg)
M3	4.4 TO 5.3 (0.5 TO 0.6)	30-14 (0.05-2.0)	0.1 (0.05)

FOR ADDITIONAL DETAILS AND SPECIFICATIONS, CONSULT MANUAL

TOLERANCES / REFERENCES:		<p>THIS DOCUMENT AND INFORMATION CONTAINED IN IT ARE CONFIDENTIAL, AND CANNOT BE COPIED OR DISCLOSED IN WHOLE OR IN PART WITHOUT THE EXPRESS WRITTEN CONSENT OF YASKAWA AMERICA, INC.</p>	DRAWN: J. MATTAS DATE: 11-4-14	TITLE: IQ PUMP MICRO DIMENSION DRAWING FRAME SIZE 4 NEMA TYPE 4X ENCLOSURE (IP66) 2V0069		
UNITS: IN[mm]	SCALE: BY VIEW		CHECKED: J. PIOTROWSKI DATE: 11-10-14	DATE: 11-11-14		
			TECH: J. BORJA DATE: 11-11-14	SIZE: A	REVISION: R00	PAGE: 4 of 4
			APPROVED: J. CAIRO DATE: 11-18-14	DATE: -	DRAWING #: <b>DD.IQPM.FR4.N4</b>	